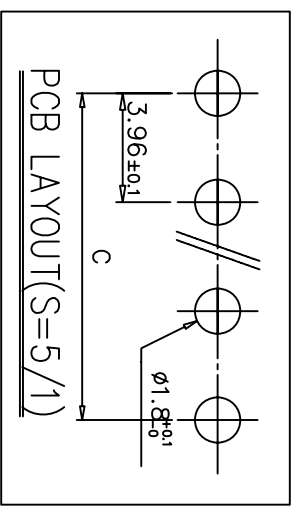
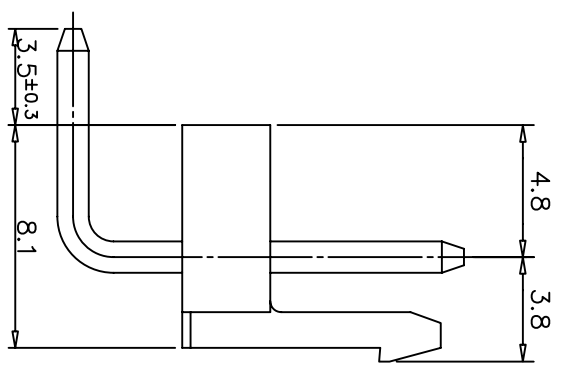
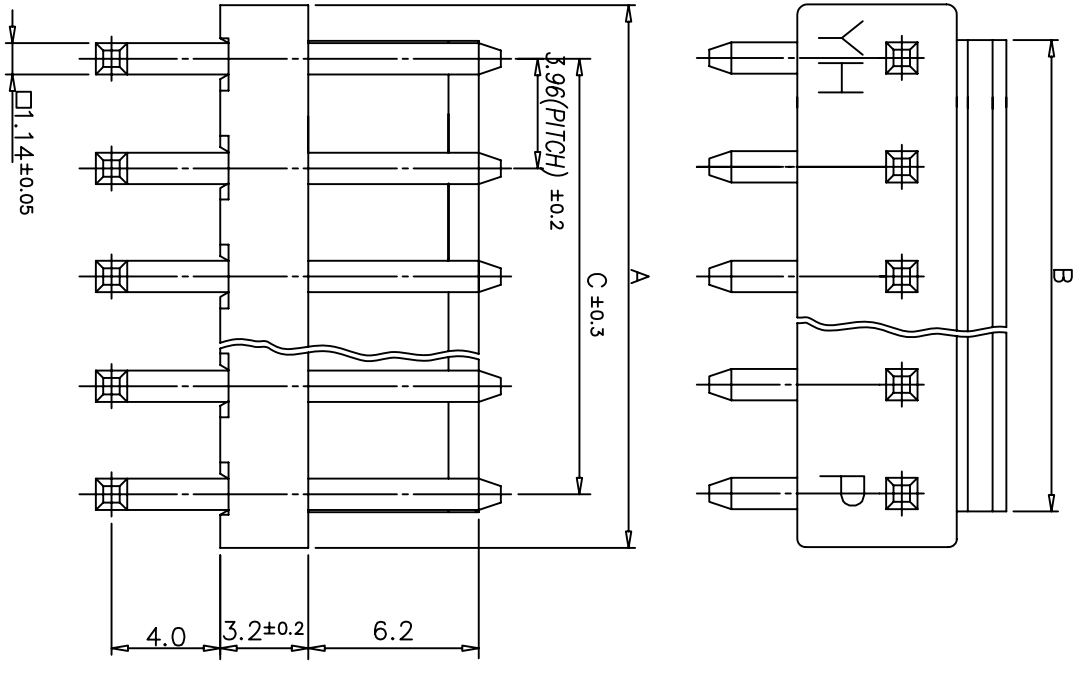


PART NO.	A	B	C
YAW396-02V	7.86	5.26	3.96
YAW396-03V	11.82	9.22	7.92
YAW396-04V	15.78	13.18	11.88
YAW396-05V	19.74	17.14	15.84
YAW396-06V	23.70	21.10	19.80
YAW396-07V	27.66	25.06	23.76
YAW396-08V	31.62	29.02	27.72
YAW396-09V	35.58	32.98	31.68
YAW396-10V	39.54	36.94	35.64
YAW396-11V	43.50	40.90	39.60
YAW396-12V	47.46	44.86	43.56
YAW396-13V	51.42	48.82	47.52
YAW396-14V	55.38	52.78	51.48
YAW396-15V	59.34	56.74	55.44



LTR		REVISION RECORD		DR	CHK	ECN
"본 도면은 연호전자의 지적재산이므로 영의 COPY 및 배포를 금합니다"						
5/1		SCALE	DRAWN	DESIGN	CHECK	APPD
A3		SIZE	DWG. NO	YAW396-00V-S		REV

YEONHO ELECTRONICS CO., LTD.
 TITLE: YAW396-NNV