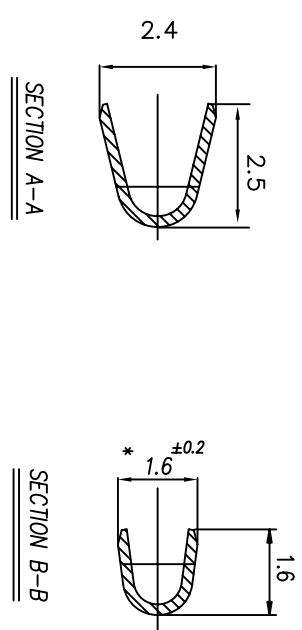
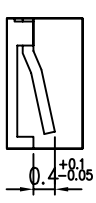
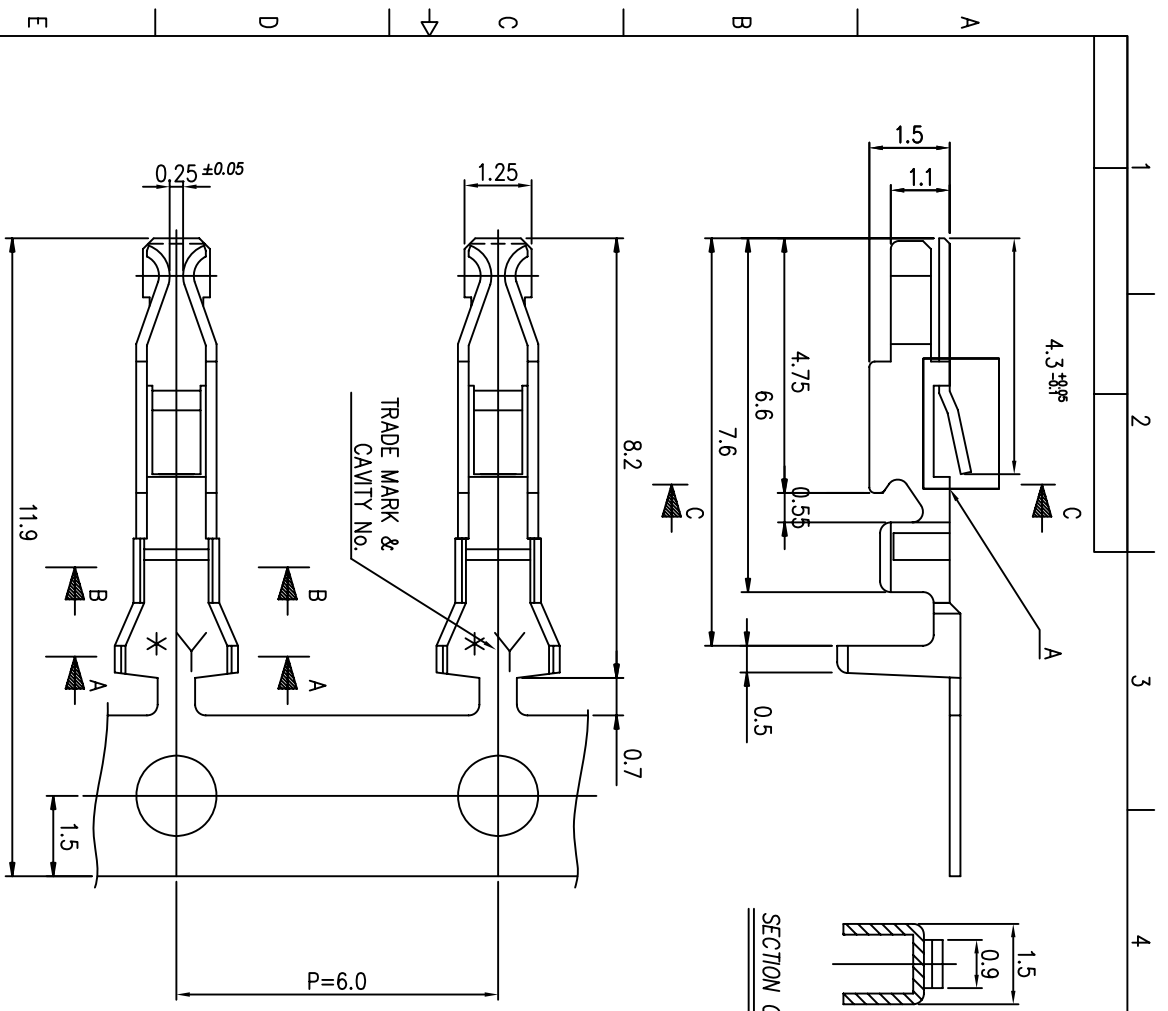


- NOTES:
1. BURR이 없을 것.
  2. MATING PARTS:  
- HOUSING= 35001HS-NNL, 20015HS-NNL,  
130001HS-NNB, 130001HS-NNF,  
20015HS-02C
  3. MATERIAL: PHOSPHOR BRONZE
  4. FINISH : TIN PLATED
  5. 시공전선 : AWG#24~28
  6. General Tol. : ±0.2



TITLE		YEONHO ELECTRONICS CO., LTD.					SIZE		REV	
35001TS-L		SCALE					A3		06	
DRAWN		DESIGN		CHECK		APPD		DWG. NO		
10/1								35001TS-00S03		
REVISION RECORD		DATE		DR		CHK				
LTR										
"본 도면은 영호전자사의 지적재산이므로 임의의 COPY 및 배포를 금합니다"										