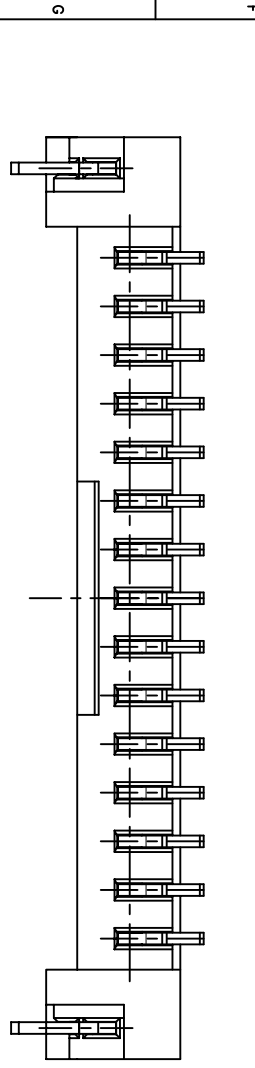
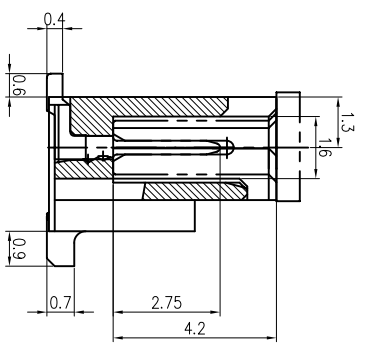
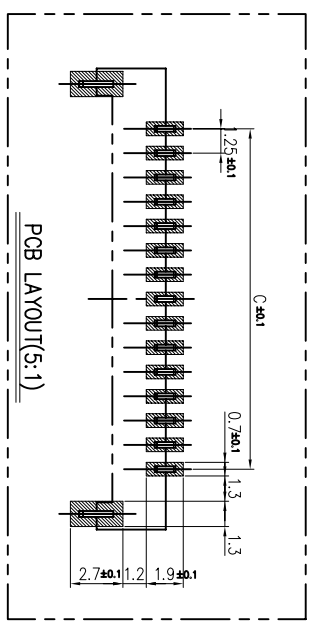
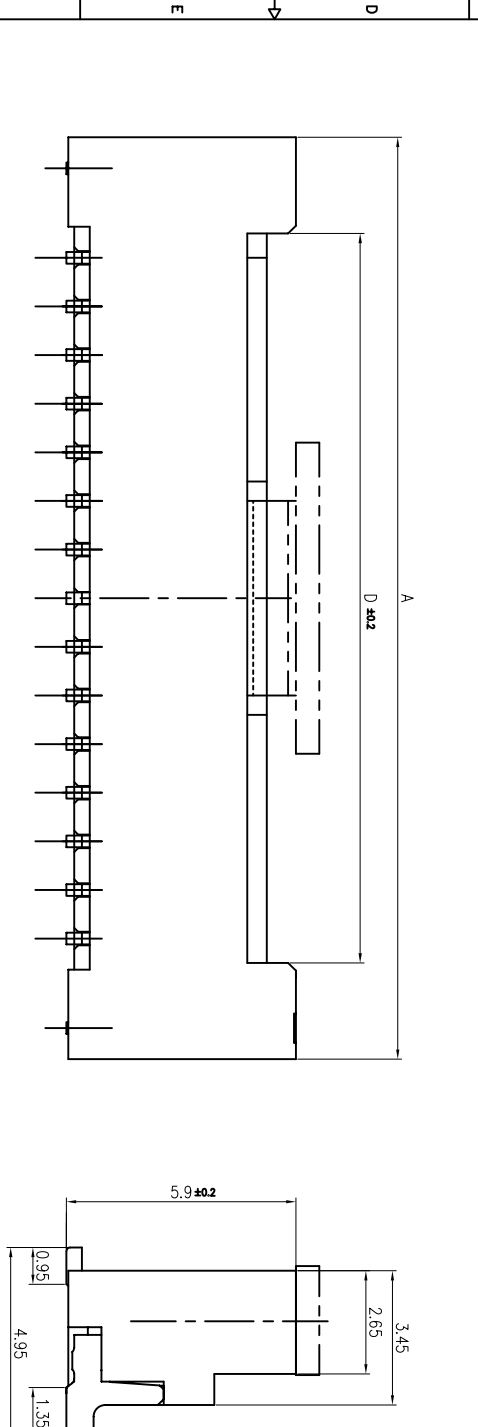
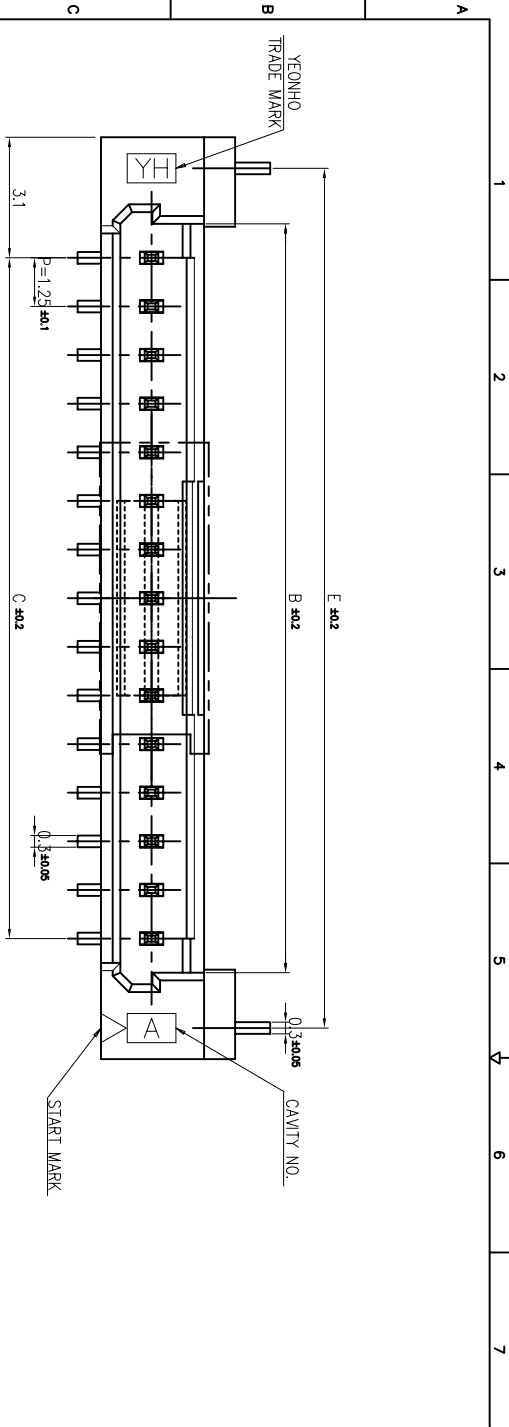


PARTS NO.	A	B	C	D	E
12507WS-03L	8.7	4.25	2.5	3.75	7.1
12507WS-04L	9.95	5.50	3.75	5.0	8.35
12507WS-05L	11.2	6.75	5.00	6.25	9.6
12507WS-06L	12.45	8.0	6.25	7.5	10.85
12507WS-07L	13.7	9.25	7.5	8.75	12.1
12507WS-08L	14.95	10.5	8.75	10.0	13.35
12507WS-09L	16.2	11.75	10.0	11.25	14.6
12507WS-10L	17.45	13.0	11.25	12.5	15.85
12507WS-11L	18.7	14.25	12.5	13.75	17.1
12507WS-12L	19.95	15.5	13.75	15.0	18.35
12507WS-13L	21.2	16.75	15.0	16.25	19.6
12507WS-14L	22.45	18.0	16.25	17.5	20.85
√12507WS-15L	23.7	19.25	17.5	18.75	22.1



YEONHO ELECTRONICS CO., LTD.				TITLE 12507WS-NNL	
SCALE	DRAWN	DESIGN	CHECK	APPD	REV
10/1					A2
REVISION RECORD			DATE	DR	CHK
LTR					
SIZE DWS. NO A2 12507WS-NNL-S					
					3