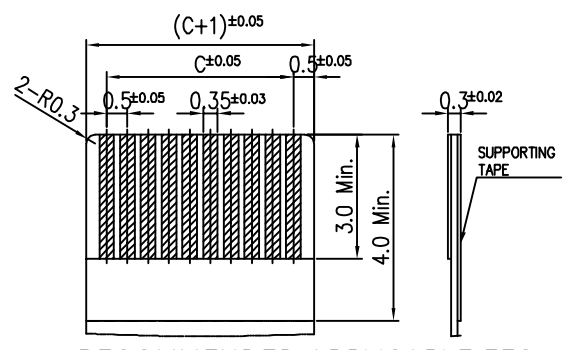
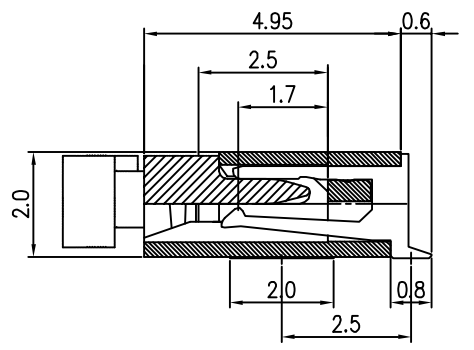


RECOMMENDED PCB LAYOUT



RECOMMENDED APPLICABLE FFC

- NOTE
 1. GENERAL TOLERANCE ±0.2
 2. MATING PARTS.
 - TERMINAL: 05003TR-E
 - HOUSING: 05003HR-HNNE
 - ACTUATOR: 05003AS-HNNE
 - HOOK: 05006LR-S

Pos.	7			8			
	A	B	C	Pos.	A	B	C
5	8.0	3.0	2.0	38	24.5	19.5	18.5
6	8.5	3.5	2.5	39	25.0	20.0	19.0
7	9.0	4.0	3.0	40	25.5	20.5	19.5
8	9.5	4.5	3.5	41	26.0	21.0	20.0
9	10.0	5.0	4.0	42	26.5	21.5	20.5
10	10.5	5.5	4.5	43	27.0	22.0	21.0
11	11.0	6.0	5.0	44	27.5	22.5	21.5
12	11.5	6.5	5.5	45	28.0	23.0	22.0
13	12.0	7.0	6.0	46	28.5	23.5	22.5
14	12.5	7.5	6.5	47	29.0	24.0	23.0
15	13.0	8.0	7.0	48	29.5	24.5	23.5
16	13.5	8.5	7.5	49	30.0	25.0	24.0
17	14.0	9.0	8.0	50	30.5	25.5	24.5
18	14.5	9.5	8.5	51	31.0	26.0	25.0
19	15.0	10.0	9.0	52	31.5	26.5	25.5
20	15.5	10.5	9.5	53	32.0	27.0	26.0
21	16.0	11.0	10.0	54	32.5	27.5	26.5
22	16.5	11.5	10.5	55	33.0	28.0	27.0
23	17.0	12.0	11.0	56	33.5	28.5	27.5
24	17.5	12.5	11.5	57	34.0	29.0	28.0
25	18.0	13.0	12.0	58	34.5	29.5	28.5
26	18.5	13.5	12.5	59	35.0	30.0	29.0
27	19.0	14.0	13.0	60	35.5	30.5	29.5
28	19.5	14.5	13.5	61	36.0	31.0	30.0
29	20.0	15.0	14.0	62	36.5	31.5	30.5
30	20.5	15.5	14.5	63	37.0	32.0	31.0
31	21.0	16.0	15.0	64	37.5	32.5	31.5
32	21.5	16.5	15.5	65	38.0	33.0	32.0
33	22.0	17.0	16.0	66	38.5	33.5	32.5
34	22.5	17.5	16.5	67	39.0	34.0	33.0
35	23.0	18.0	17.0	68	39.5	34.5	33.5
36	23.5	18.5	17.5	69	40.0	35.0	34.0
37	24.0	19.0	18.0	70	40.5	35.5	34.5

4	HOOK	Phosper Bronze	2	Tin-Plated
3	TERMINAL	Phosper Bronze	NN	Au-Plated
2	ACTUATOR	PPS	1	UL94V-0
1	HOUSING	LCP	1	UL94V-0
I/NO	DESCRIPTION	MATERIAL	QTY	REMARK

YEONHO ELECTRONICS CO., LTD.

TITLE: 05003HR-HNNE
 SCALE: 10/1
 DRAWN: P.J.M
 DESIGN: J.J.H
 CHECK: J.J.H
 APPD: J.J.H
 SIZE: A3
 DWG. NO: 05003HR-H00E-S
 REV:

LTR	REVISION	RECORD	DATE	DR	CHK
-----	----------	--------	------	----	-----