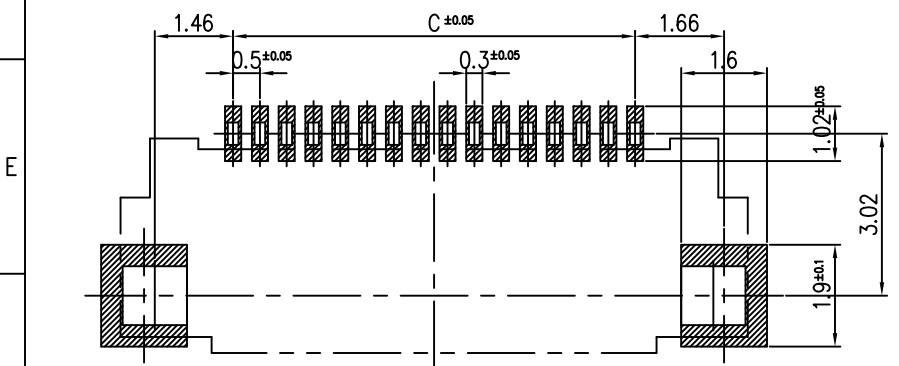
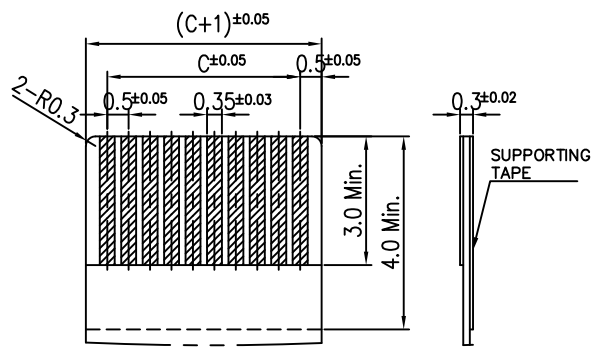
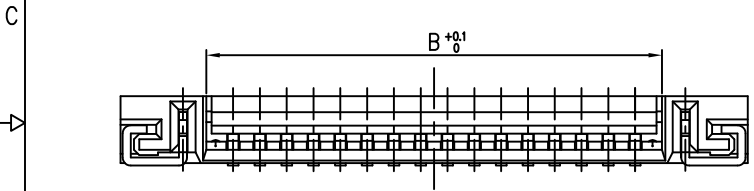
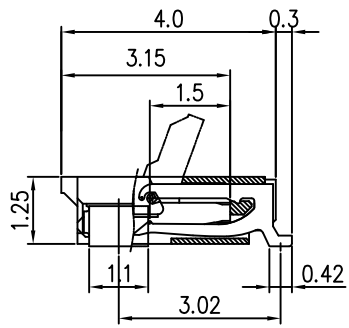
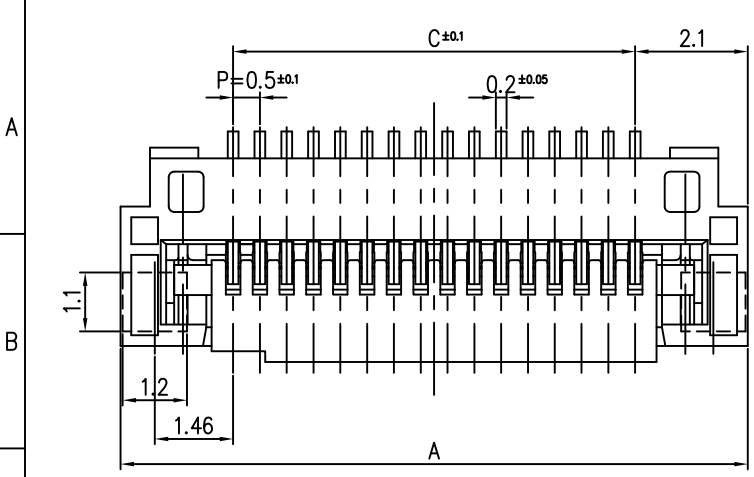


NOTE
 1. GENERAL TOLERANCE ± 0.2
 2. MATING PARTS.
 - TERMINAL : 05002TR-C
 - HOUSING : 05002HR-NNCE
 - ACTUATOR : 05002AS-NNCE
 - HOOK : 05002LR-C
 3. 형명: 05002HR-NNCE(G)

Au도금적용



RECOMMENDED PCB LAYOUT

Pos.	A	B	C	Pos.	A	B	C
5	6.2	3.0	2.0	38	22.7	19.5	18.5
6	6.7	3.5	2.5	39	23.2	20.0	19.0
7	7.2	4.0	3.0	40	23.7	20.5	19.5
8	7.7	4.5	3.5	41	24.2	21.0	20.0
9	8.2	5.0	4.0	42	24.7	21.5	20.5
10	8.7	5.5	4.5	43	25.2	22.0	21.0
11	9.2	6.0	5.0	44	25.7	22.5	21.5
12	9.7	6.5	5.5	45	26.2	23.0	22.0
13	10.2	7.0	6.0	46	26.7	23.5	22.5
14	10.7	7.5	6.5	47	27.2	24.0	23.0
15	11.2	8.0	7.0	48	27.7	24.5	23.5
16	11.7	8.5	7.5	49	28.2	25.0	24.0
17	12.2	9.0	8.0	50	28.7	25.5	24.5
18	12.7	9.5	8.5	51	29.2	26.0	25.0
19	13.2	10.0	9.0	52	29.7	26.5	25.5
20	13.7	10.5	9.5	53	30.2	27.0	26.0
21	14.2	11.0	10.0	54	30.7	27.5	26.5
22	14.7	11.5	10.5	55	31.2	28.0	27.0
23	15.2	12.0	11.0	56	31.7	28.5	27.5
24	15.7	12.5	11.5	57	32.2	29.0	28.0
25	16.2	13.0	12.0	58	32.7	29.5	28.5
26	16.7	13.5	12.5	59	33.2	30.0	29.0
27	17.2	14.0	13.0	60	33.7	30.5	29.5
28	17.7	14.5	13.5	61	34.2	31.0	30.0
29	18.2	15.0	14.0	62	34.7	31.5	30.5
30	18.7	15.5	14.5	63	35.2	32.0	31.0
31	19.2	16.0	15.0	64	35.7	32.5	31.5
32	19.7	16.5	15.5	65	36.2	33.0	32.0
33	20.2	17.0	16.0	66	36.7	33.5	32.5
34	20.7	17.5	16.5	67	37.2	34.0	33.0
35	21.2	18.0	17.0	68	37.7	34.5	33.5
36	21.7	18.5	17.5	69	38.2	35.0	34.0
37	22.2	19.0	18.0	70	38.7	35.5	34.5

4	HOOK	Phospher Bronze	2	TIN-PLATED
3	TERMINAL	Phospher Bronze	NN	Au-PLATED
2	ACTUATOR	PA9T (BLACK)	1	UL94V-0
1	HOUSING	LCP	1	UL94V-0
I/NO	DESCRIPTION	MATERIAL	QTY	REMARK

YEONHO ELECTRONICS CO., LTD.					TITLE		
					05002HR-NNCE		
SCALE	DRAWN	DESIGN	CHECK	APPD	SIZE	DWG. NO	REV
10/1		C. B. H			A3	05002HR-00CE(G)-S	

"본 도면은 연호전자의 지적재산이므로 임의 COPY 및 배포를 금합니다"

LTR	REVISION RECORD	DR	CHK	ECN