

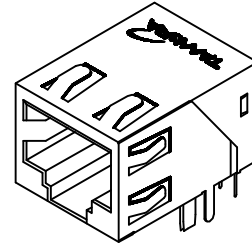


RJ45 Integrated Connector

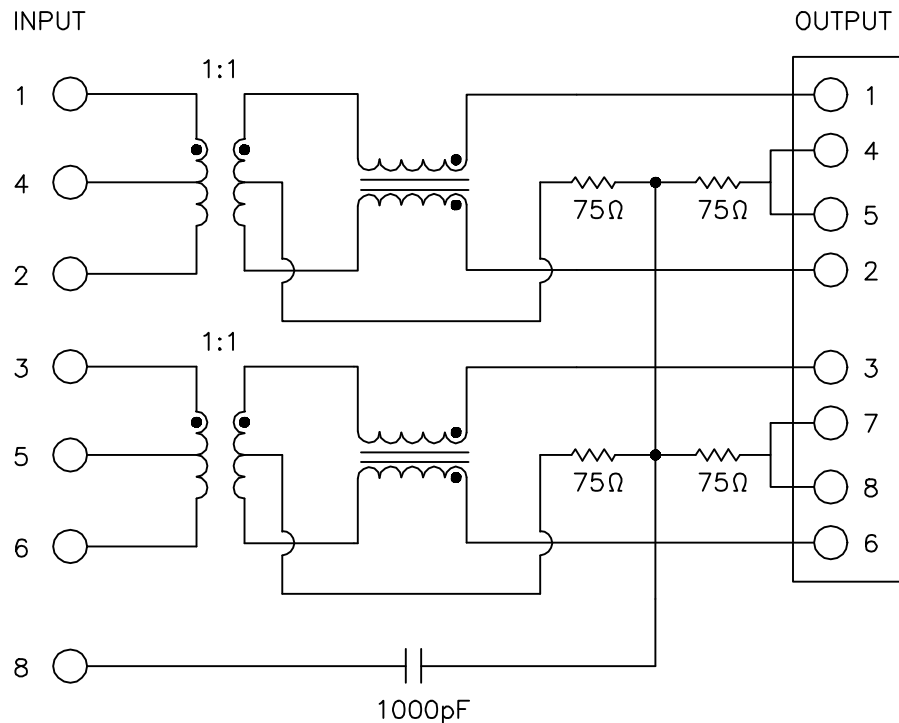
10/100 Base-TX, Single Port, Through Hole

MODEL NUMBER
TIC-L002-11

- Meets IEEE 802.3 and ANSI X3.263
- Operating temperature: 0°C to +85°C
- Storage Temperature: 0°C to +85°C



| Electrical Specification From 0°C to +85°C | | | | | | | | |
|--|-------------------------|-----------|-----------|------------------|-----------------------|-----------------------|-----------------|---------------------------|
| Insertion Loss (dB Max) | Return Loss (dB Min) | | | CMRR (dB Min) | Crosstalk (dB Min) | OCL (μ H Min) | Hipot (Vrms) | Impedance (Ω) |
| 1-100 MHz | 1-30 MHz | 60 MHz | 80 MHz | 1-100 MHz | 1-100 MHz | 8mA Dc Bias | 1 minute | |
| -1 | -18 | -16 | -12 | -30 | -30 | 350 | 1500 | 100 |



PREPARED BY:

D. Rund

ENGINEER:

L. Le

QUALITY CONTROL:

D. Kelley

APPROVED:

J. Coleman

DWG CONTROL NO.
P-A1-12909
ACAD\TTC\A1129091.DWG

REV
PRE

RJ45
INTEGRATED CONNECTOR

TAMURA CORPORATION OF AMERICA
43352 BUSINESS PARK DRIVE, TEMECULA, CA. 92590-6624
(909) 699-1270 FAX 9096769482

TIC-L002-11
MODEL SPECIFICATION

DIM: mm(in) SCL: NONE SH: 1 OF 2

PROPRIETARY NOTICE: THIS DRAWING PRINT OR DOCUMENT AND SUBJECT MATTER DISCLOSED HEREIN ARE PROPRIETARY ITEMS TO WHICH TAMURA RETAINS THE EXCLUSIVE RIGHT OF DISSEMINATION, REPRODUCTION, MANUFACTURE AND SALE. THIS DRAWING, PRINT OR DOCUMENT IS SUBMITTED IN CONFIDENCE FOR CONSIDERATION BY THE RECIPIENT ALONE UNLESS PERMISSION FOR FURTHER DISCLOSURE IS EXPRESSLY GRANTED IN WRITING.



RJ45 Integrated Connector

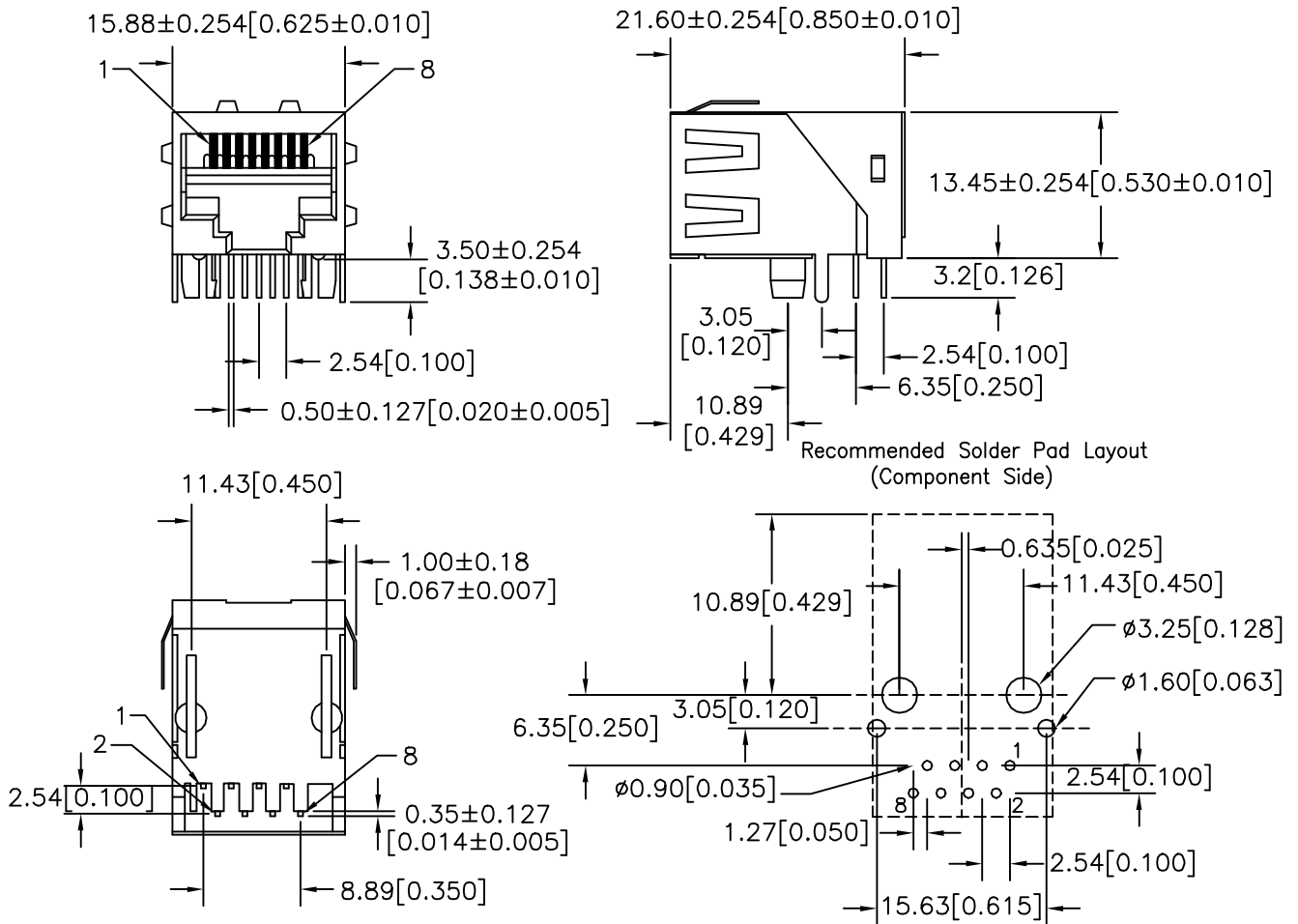
10/100 Base-TX, Single Port, Through Hole

MODEL NUMBER

TIC-L002-11

Mechanical Material Specification

| Contact Material | Contact | | | | | | Housing and Insert | Shell | |
|------------------|----------------|----------------|---------------|---------------|------------------|---------------|--------------------------|-------------------|-------------------|
| | Contact Finish | | | | | | | Front | Back |
| | Upper Contact | | | Lower Contact | | | | | |
| | Contact Area | Solder Tail | Under-plating | Contact Area | Solder Tail Area | Under-plating | | | |
| Phosphor Bronze | Gold | Tin/Lead (9:1) | Nickel | Gold | Tin/Lead (9:1) | Nickel | Thermal-plastic Nylon 6T | Stainless SUS 304 | Stainless SUS 304 |
| 0.35mm thick | 30μ" MIN | 100μ" MIN | 50μ" MIN | 100μ" MIN | 100μ" MIN | 50μ" MIN | Black UL 94V-0 | 0.25mm thick | 0.20mm thick |



NOTE: Dimensions without tolerances are typical.

PREPARED BY:

D. Rund

ENGINEER:

L. Le

QUALITY CONTROL:

D. Kelley

APPROVED:

J. Coleman

DWG CONTROL NO. P-A1-12909
ACAD\TTC\A1129092.DWG

REV

PRE

RJ45
INTEGRATED CONNECTOR
TAMURA CORPORATION OF AMERICA
43352 BUSINESS PARK DRIVE, TEMECULA, CA. 92590-6624
(909) 699-1270 FAX 9096769482

TIC-L002-11
MODEL SPECIFICATION

DIM: mm(in) SCL: NONE SH: 2 OF 2

PROPRIETARY NOTICE: THIS DRAWING PRINT OR DOCUMENT AND SUBJECT MATTER DISCLOSED HEREIN ARE PROPRIETARY ITEMS TO WHICH TAMURA RETAINS THE EXCLUSIVE RIGHT OF DISSEMINATION, REPRODUCTION, MANUFACTURE AND SALE. THIS DRAWING, PRINT OR DOCUMENT IS SUBMITTED IN CONFIDENCE FOR CONSIDERATION BY THE RECIPIENT ALONE UNLESS PERMISSION FOR FURTHER DISCLOSURE IS EXPRESSLY GRANTED IN WRITING.