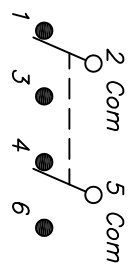


RECOMMENDED P.C.B. LAYOUT

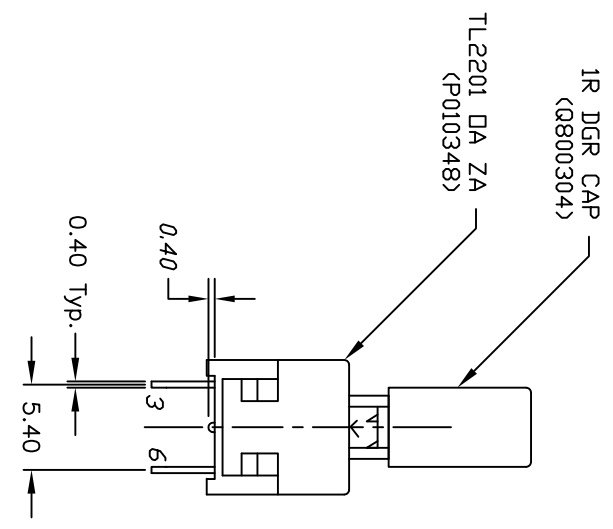
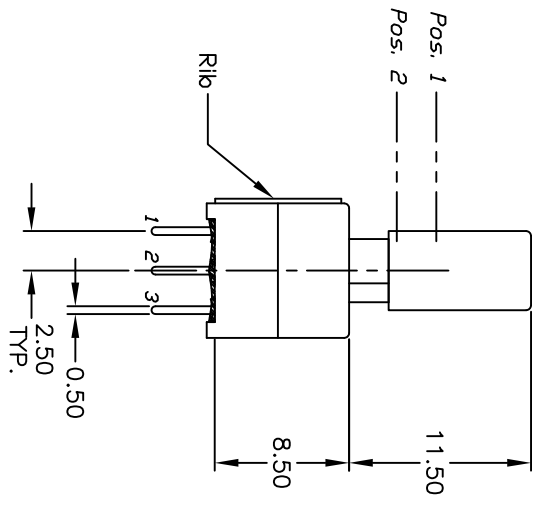
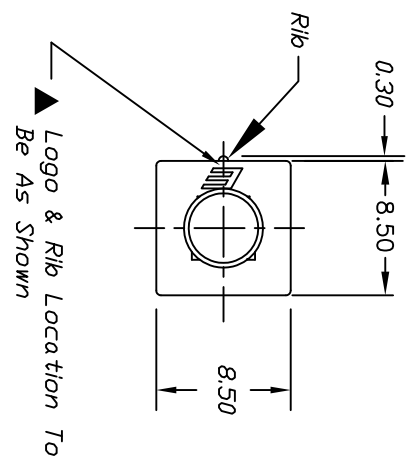


CIRCUIT: 2PDT

CONNECTED TERM. #	FUNCTION	POS. 1
2-1,5-4	NORMALLY CLOSED	POS. 1
2-3,5-6	NORMALLY OPEN	POS. 2
2,5	COMMON	

NOTES:

1. ALL DIMENSIONS IN MM
2. GENERAL TOLERANCE: X.X=±0.4  
X.XX=±0.25
3. TERM. NOS. FOR REF. ONLY
4. RATING: 0.1A @30V DC
5. TRAVEL: (TO MAKE)= 1.34±0.38  
(TOTAL TRAVEL)= 2.50±0.38  
(TO LATCH)= 1.50±0.38
6. OPERATING FORCE:180±50gf
7. CONTACT RESISTANCE: 50mILLI-Ohms MAX. Initially
8. ELECTRICAL LIFE (ot Full Load):  
10,000 Cycles Make & Break
9. DESIGNATE MAJOR FEATURE:



1R DGR CAP  
(0800304)

TL2201 DA ZA  
(P010348)



REV.	ECN NO.	DESCRIPTION	DATE	CHKD
B	21126	Q800304 WAS A800304	5/9/13	EBP
A	13506	RELEASED FOR PRODUCTION	10/8/03	AR

TITLE	SCALE	DATE	DR	DWG	REV
TL2201DAZA1RDGR	2:1	10/8/03	AR	XSP001A	B

THE INFORMATION CONTAINED IN THIS DOCUMENT IS PROPRIETARY TO E-SWITCH AND IS NOT TO BE COPIED OR TRANSFERRED