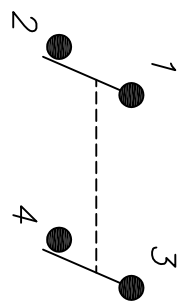
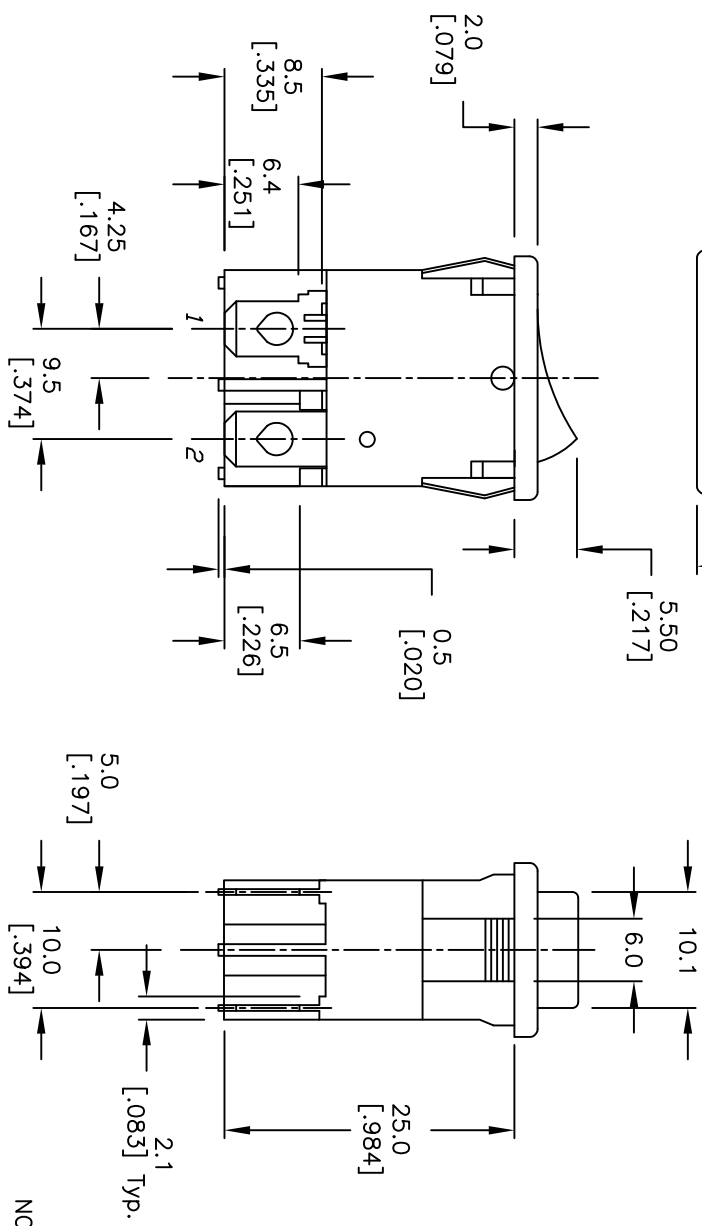


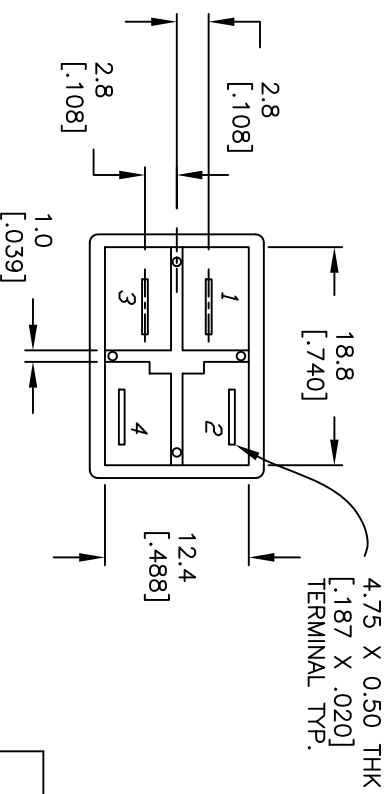
RECOMMENDED PANEL MOUNTING
NOT TO SCALE

PANEL THICKNESS	X
0.75-1.25 (.030-.049)	19.2 (.756)
1.25-2.0 (.049-.079)	19.4 (.764)



NOTES:
CIRCUIT: DPST

1. ALL DIMENSIONS IN MM [INCH]
2. GENERAL TOLERANCE: X.X=±0.4 X.XX=±0.25
3. TERM. NOS. FOR REF. ONLY
4. RATING: cRUs 8A125/250VAC
5. MECHANICAL LIFE: 15,000 cycles
6. ELECTRICAL LIFE: 10,000 cycles
7. CONTACT RESISTANCE: 10mILLI-Ohms
8. INSULATION RESISTANCE: >1000Mega-Ohms
9. DIELECTRIC STRENGTH: 1,500 Volts for 1min. 3,000 Volts between poles
10. OPERATING TEMP: -30°C to 85°C
11. HOUSING COLOR: BLACK
12. ACTUATOR COLOR: BLACK



B	20434	CORRECT RATING	01/27/12	BMA
A	12538	RELEASED	9/24/02	CB
REV.	ECN No.	DESCRIPTION	DATE	CHKD

TITLE		RC1083B BLK BLK EF	
SCALE	DATE	DR	DWG
1.5:1	9/24/02	CB	P301500
REV		B	

THE INFORMATION CONTAINED IN THIS DOCUMENT IS PROPRIETARY TO E-SWITCH AND IS NOT TO BE COPIED OR TRANSFERRED